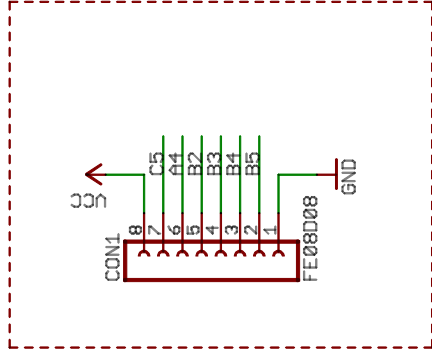
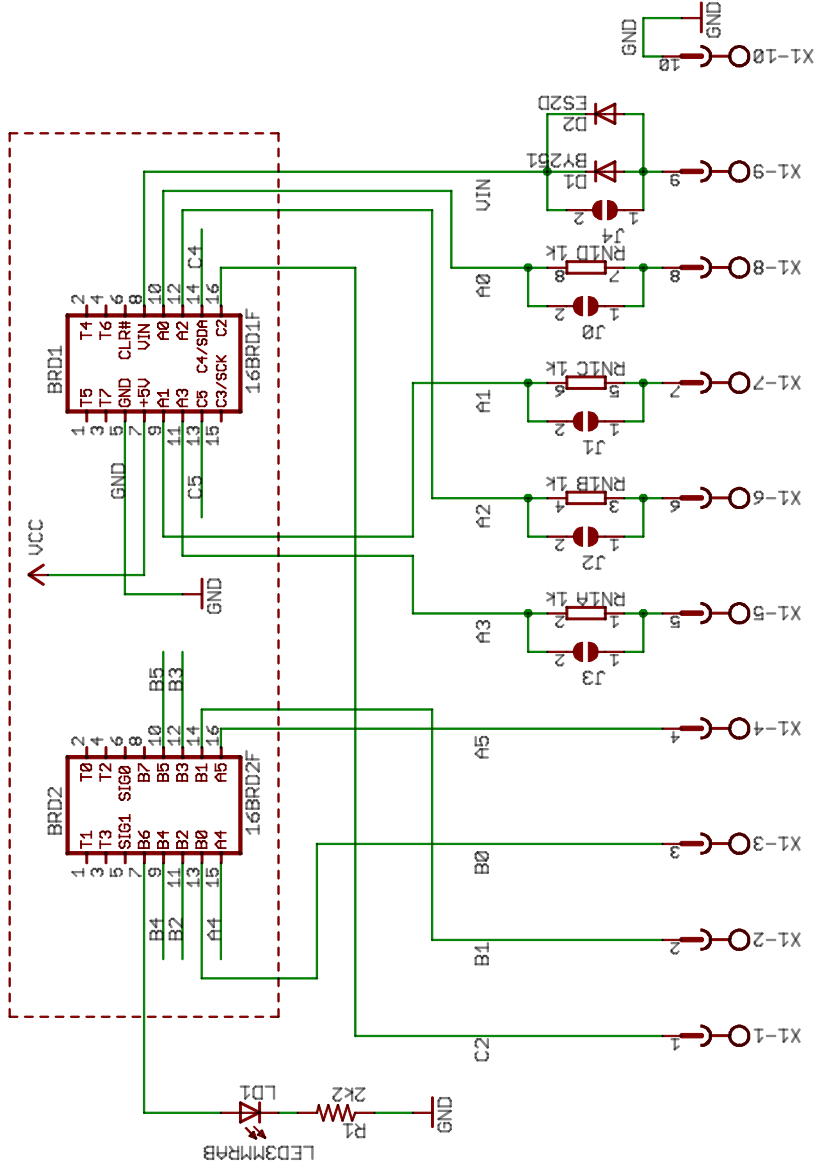


3.81mm Terminal Block Connector



Frontend Connector - fits onto MicroX SBC Main Board



I08S - Modtronix Engineering

TITLE: io8sr2

Document Number:

REV: 2

Date: 5/18/2006 02:50:54p

Sheet: 1/1

