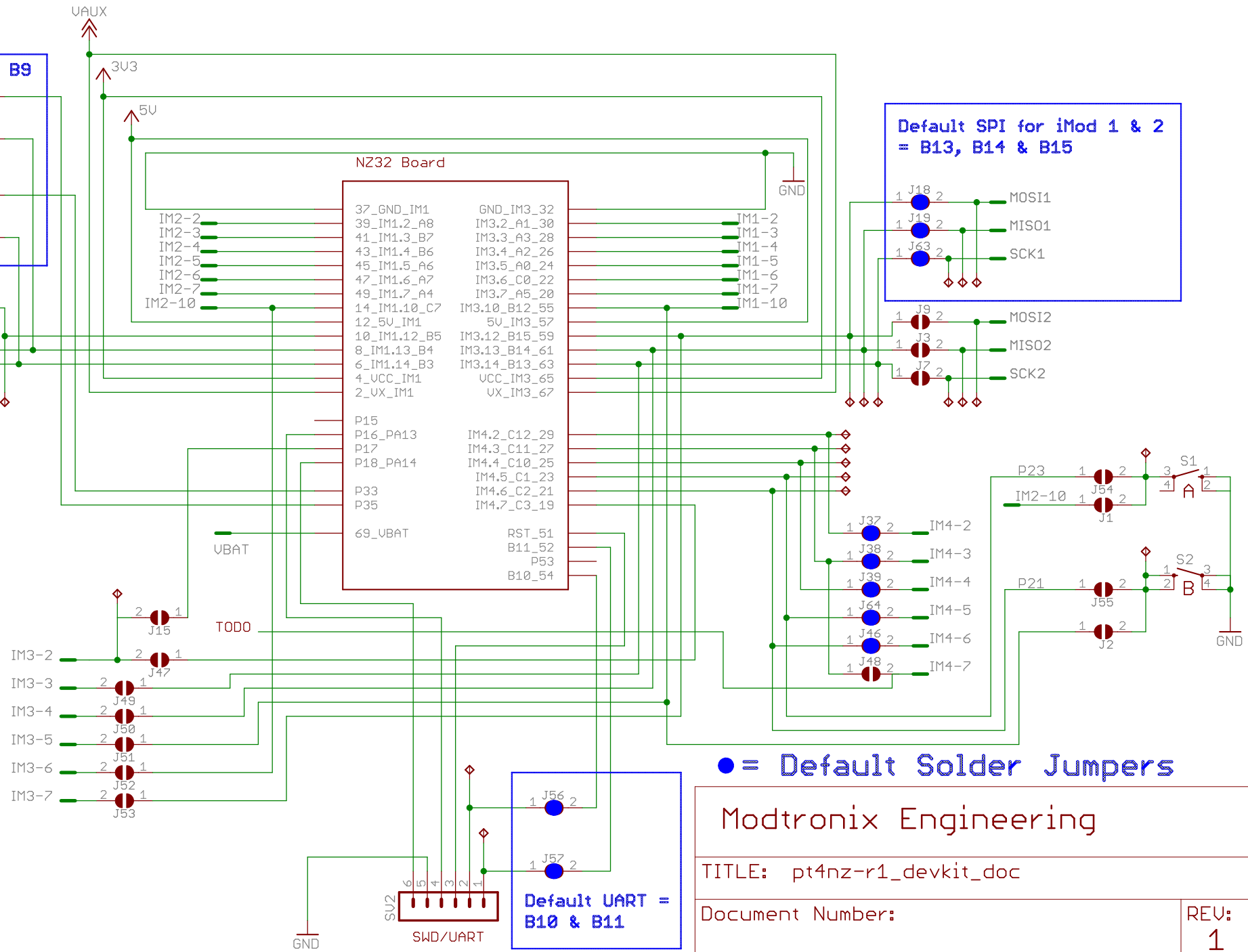
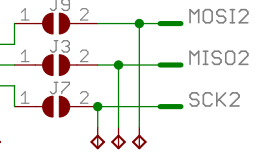
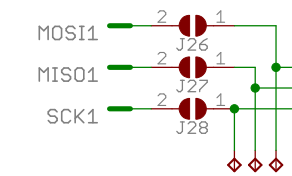
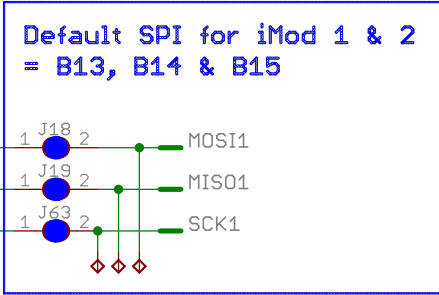
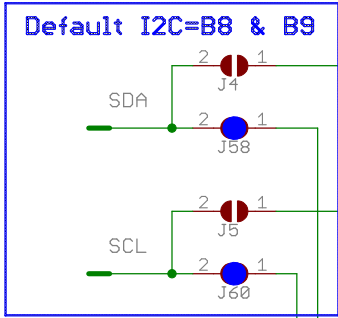


● = Default Solder Jumpers

Modtronix Engineering

TITLE: pt4nz-r1\_devkit\_doc

Document Number:	REV: 1
Date: 29/05/2015 7:01:03 PM	Sheet: 1/2



● = Default Solder Jumpers

Modtronix Engineering

TITLE: pt4nz-r1_devkit_doc	
Document Number:	REV: 1
Date: 29/05/2015 7:01:03 PM	Sheet: 2/2